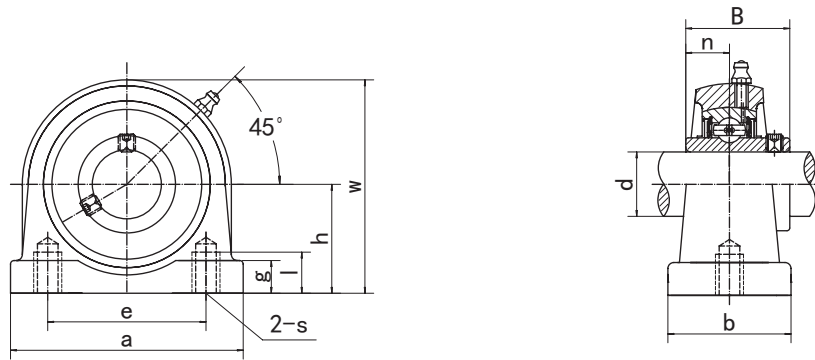


**Pillow Blocks**

**UCPW2 (Normal-duty)**



| Unit NO.  | Dimensions ( mm / in. )                  |                 |                  |               |               |     |             |               |                  |                |               | Bolt Size<br>mm/in. | Bearing<br>No.  | Housing<br>No. | Weight<br>(kg)                       |
|---|--|-----------------|------------------|---------------|---------------|-----|-------------|---------------|------------------|----------------|---------------|---------------------|---|----------------|--------------------------------------|
|   | d  | h               | a                | e             | b             | s   | l           | g             | w                | B              | n             |                     |   |                |                                      |
| UCSPW201<br>201-8                               | 12<br>1/2                                | 30.2            | 63.0             | 47.0          | 30            |     | 10          | 11.0          | 57.0             | 27.4           | 11.5          |                     | UCS201<br>UCS201-8                                    | PW201          | 0.48<br>0.47                         |
| UCSPW202<br>202-9<br>202-10                     | 15<br>9/16<br>5/8                        | 1-3/16          | 2-31/64          | 1-27/32       | 1-3/16        | M8  | 25/64       | 7/16          | 2-1/4            | 1.0787         | 0.4528        | M8                  | UCS202<br>UCS202-9<br>UCS202-10                       | PW202          | 0.47<br>0.47<br>0.47                 |
| UCSPW203<br>203-11                              | 17<br>11/16                              |                 |                  |               |               |     |             |               |                  |                |               |                     | UCS203<br>UCS203-11                                   | PW203          | 0.46<br>0.45                         |
| UCPW204<br>204-12                               | 20<br>3/4                                | 33.3<br>1-5/16  | 65.0<br>2-9/16   | 50.8<br>2     | 32<br>1-17/64 | M8  | 15<br>19/32 | 14.5<br>37/64 | 64<br>2-33/64    | 31.0<br>1.2205 | 12.7<br>0.500 | M8                  | UC204<br>UC204-12                                     | PW204          | 0.49<br>0.49                         |
| UCPW205<br>205-13<br>205-14<br>205-15<br>205-16 | 25<br>13/16<br>7/8<br>15/16<br>1         | 36.5<br>1-7/16  | 70.0<br>2-3/4    | 50.8<br>2     | 36<br>1-27/64 | M10 | 15<br>19/32 | 13.0<br>33/64 | 70.0<br>2-3/4    | 34.1<br>1.3425 | 14.3<br>0.563 | M10                 | UC205<br>UC205-13<br>UC205-14<br>UC205-15<br>UC205-16 | PW205          | 0.59<br>0.63<br>0.62<br>0.60<br>0.59 |
| UCPW206<br>206-17<br>206-18<br>206-19<br>206-20 | 30<br>1-1/16<br>1-1/8<br>1-3/16<br>1-1/4 | 42.9<br>1-11/16 | 98.0<br>3-55/64  | 76.2<br>3     | 40<br>1-37/64 | M10 | 18<br>45/64 | 16.0<br>5/8   | 82.0<br>3-15/64  | 38.1<br>1.5000 | 15.9<br>0.626 | M10                 | UC206<br>UC206-17<br>UC206-18<br>UC206-19<br>UC206-20 | PW206          | 1.11<br>1.12<br>1.13<br>1.11<br>1.10 |
| UCPW207<br>207-20<br>207-21<br>207-22<br>207-23 | 35<br>1-1/4<br>1-5/16<br>1-3/8<br>1-7/16 | 47.6<br>1-7/8   | 103.0<br>4-1/16  | 82.6<br>3-1/4 | 45<br>1-49/64 | M10 | 20<br>25/32 | 19.0<br>3/4   | 93.0<br>3-21/32  | 42.9<br>1.6890 | 17.5<br>0.689 | M10                 | UC207<br>UC207-20<br>UC207-21<br>UC207-22<br>UC207-23 | PW207          | 1.44<br>1.50<br>1.47<br>1.44<br>1.41 |
| UCPW208<br>208-24<br>208-25                     | 40<br>1-1/2<br>1-9/16                    | 49.2<br>1-15/16 | 116.0<br>4-9/16  | 88.9<br>3-1/2 | 48<br>1-57/64 | M12 | 20<br>25/32 | 19.0<br>3/4   | 99.0<br>3-57/64  | 49.2<br>1.9370 | 19.0<br>0.748 | M12                 | UC208<br>UC208-24<br>UC208-25                         | PW208          | 1.76<br>1.80<br>1.77                 |
| UCPW209<br>209-26<br>209-27<br>209-28           | 45<br>1-5/8<br>1-11/16<br>1-3/4          | 53.9<br>2-1/8   | 120.0<br>4-23/32 | 95.3<br>3-3/4 | 48<br>1-57/64 | M12 | 25<br>63/64 | 19.0<br>3/4   | 107.0<br>4-7/32  | 49.2<br>1.9370 | 19.0<br>0.748 | M12                 | UC209<br>UC209-26<br>UC209-27<br>UC209-28             | PW209          | 1.99<br>2.09<br>2.05<br>2.01         |
| UCPW210<br>210-29<br>210-30<br>210-31<br>210-32 | 50<br>1-13/16<br>1-7/8<br>1-15/16<br>2   | 57.2<br>2-1/4   | 135.0<br>5-5/16  | 101.6<br>4    | 54<br>2-1/8   | M16 | 25<br>63/64 | 22.0<br>55/64 | 115.0<br>4-17/32 | 51.6<br>2.0315 | 19.0<br>0.748 | M16                 | UC210<br>UC210-29<br>UC210-30<br>UC210-31<br>UC210-32 | PW210          | 2.64<br>2.76<br>2.71<br>2.66<br>2.62 |