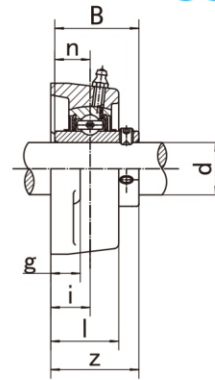
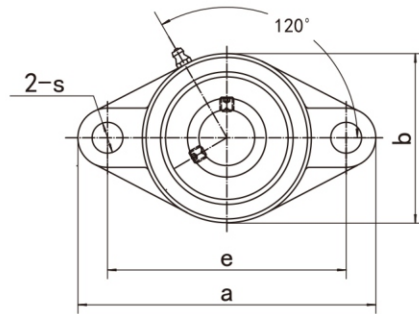


## Flange Units (Oval)

## UCFT2 (Normal-duty)



Unit NO.	Dimensions ( mm / in. )											Bolt Size mm/in.	Bearing No.	Housing No.	Weight (kg)
	d	a	e	i	g	l	s	b	z	B	n				
UCFT204	20	112	89.5	19.0	11.0	29.0	10.5	60.0	37.3	31.0	12.7	M8	UC204	FT204	0.45
204-12	3/4	4-13/32	3-33/64	3/4	7/16	1-9/64	27/64	2-3/8	1-15/32	1.2205	0.500	5/16	UC204-12		0.45
UCFT205	25	124	99.0	20.0	13.0	31.0	13.0	70.0	39.8	34.1	14.3	M10	UC205	FT205	0.63
205-13	13/16	4-7/8	3-57/64	25/32	1/2	1-7/32	33/64	2-3/4	1-37/64	1.3425	0.563	3/8	UC205-13		0.67
205-14	7/8												UC205-14		0.66
205-15	15/16												UC205-15		0.64
205-16	1												UC205-16		0.63
UCFT206	30												141	116.5	21.0
206-17	1-1/16	5-35/64	4-37/64	53/64	1/2	1-11/32	33/64	3-15/64	1-45/64	1.5000	0.626	3/8	UC206-17	0.90	
206-18	1-1/8												UC206-18	0.91	
206-19	1-3/16												UC206-19	0.89	
206-20	1-1/4												UC206-20	0.88	
UCFT207	35												156	130.0	21.5
207-20	1-1/4	6-9/64	5-1/8	27/32	35/64	1-7/16	35/64	3-47/64	1-27/32	1.6890	0.689	7/16	UC207-20	1.32	
207-21	1-5/16												UC207-21	1.29	
207-22	1-3/8												UC207-22	1.26	
207-23	1-7/16												UC207-23	1.23	
UCFT208	40												171	143.5	24.0
208-24	1-1/2	6-47/64	5-21/32	61/64	35/64	1-17/32	35/64	4-9/64	2-9/64	1.9370	0.748	7/16	UC208-24	1.65	
208-25	1-9/16												UC208-25	1.62	
UCFT209	45												179	148.5	24.0
209-26	1-5/8	7-3/64	5-55/64	61/64	35/64	1-37/64	5/8	4-3/8	2-9/64	1.9370	0.748	1/2	UC209-26	1.91	
209-27	1-11/16												UC209-27	1.87	
209-28	1-3/4												UC209-28	1.83	
UCFT210	50												189	157.0	28.5
210-29	1-13/16	7-7/16	6-3/16	1-1/8	35/64	1-27/32	5/8	4-9/16	2-13/32	2.0315	0.748	1/2	UC210-29	2.27	
210-30	1-7/8												UC210-30	2.22	
210-31	1-15/16												UC210-31	2.17	
210-32	2												UC210-32	2.13	
UCFT211	55												216	184.0	32.0
211-32	2	8-1/2	7-1/4	1-17/64	25/32	1-31/32	45/64	5-15/64	2-37/64	2.1890	0.874	5/8	UC211-32	3.35	
211-33	2-1/16												UC211-33	3.29	
211-34	2-1/8												UC211-34	3.25	
211-35	2-3/16												UC211-35	3.18	
UCFT212	60												235	202	34
212-36	2-1/4	9-1/4	7-61/64	1-9/64	53/64	2-3/32	23/32	5-7/16	2-29/32	2.5630	1.000	5/8	UC212-36	4.13	
212-37	2-5/16												UC212-37	4.05	
212-38	2-3/8												UC212-38	3.98	
212-39	2-7/16												UC212-39	3.91	
UCFT213	65												248	210	38
213-40	2-1/2	9-49/64	8-17/64	1-1/2	55/64	2-13/64	13/16	5-63/64	3-1/16	2.5630	1.000	23/32	UC213-40	4.81	
213-41	2-9/16												UC213-41	4.72	
UCFT214	70												257	216	38
214-42	2-5/8	10-7/16	8-1/2	1-1/2	29/32	2-9/32	29/32	6-3/16	3-1/4	2.9370	1.189	3/4	UC214-42	5.48	
214-43	2-11/16												UC214-43	5.38	
214-44	2-3/4												UC214-44	5.28	